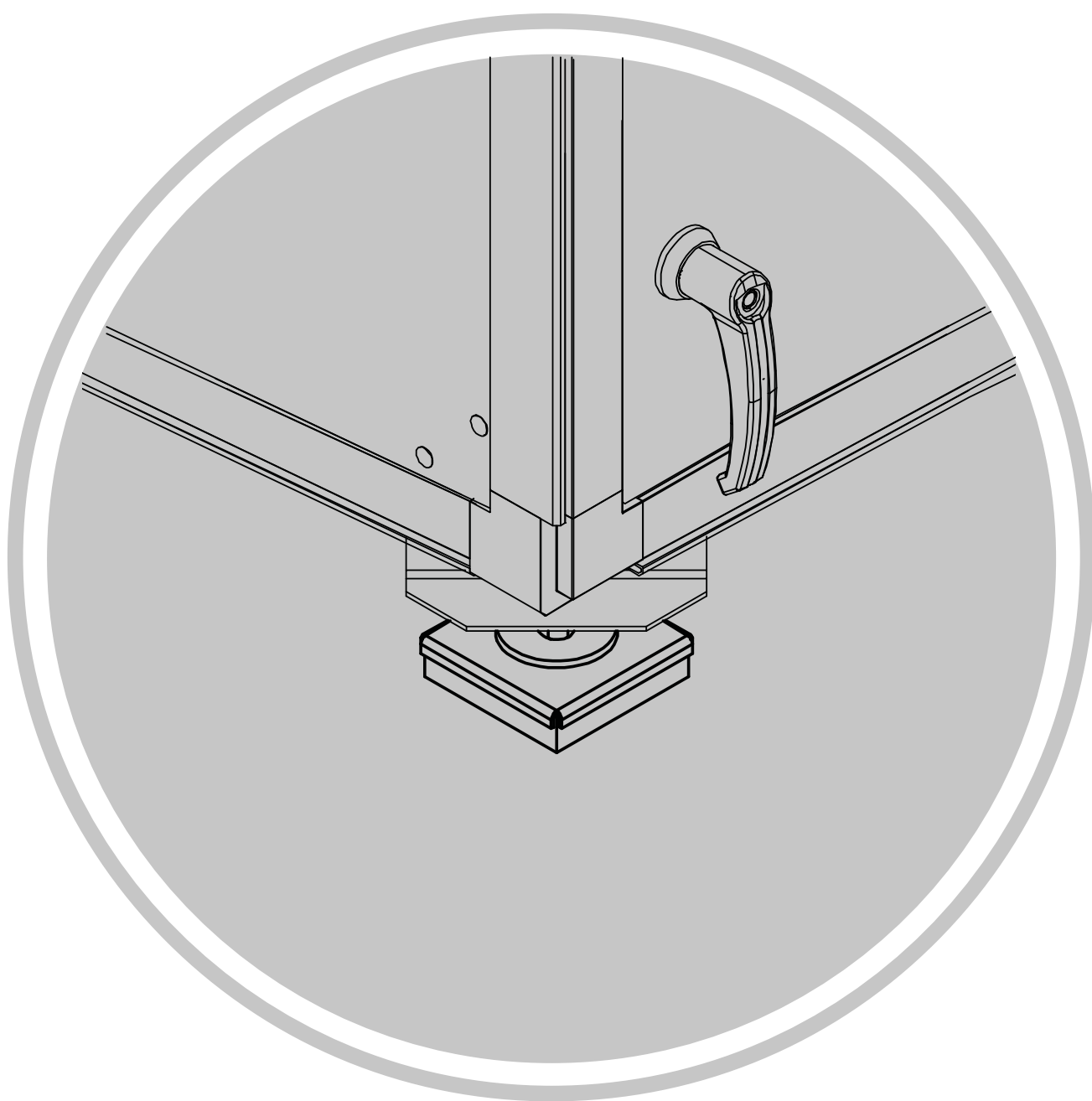




Product sheet

Mounted vibration isolator

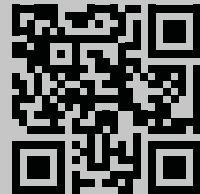
AMMT-01





Documentation for your unit

1. Scan QR code or enter docs.ivprodukt.com in your web browser.
2. Enter your order number.
3. Press ENTER or click search.
4. Select your order.





Order portal

Product sheet

Mounted vibration isolator

Safety



For instructions and safety procedures for use, see the applicable Assembly Instructions and Operation and Maintenance for the AHU (air handling unit).

We reserve the right to make any changes to the product that may not be updated in this product sheet.



Spare parts

Spare parts list can be downloaded from IV Produkt's order portal. Order spare parts and accessories from IV Produkt. See contact information on the last page. Please state the order number and AHU designation from the type plate, located on the unit.

General

The damper is used to isolate vibrations and room noise from ventilation units and reduces room noise over a wide frequency range. By eliminating the direct contact between the AHU (air handling unit) and the building structure, the transmission of disturbing noises and vibrations to the building structure and surrounding spaces is limited.

The damper is placed under each foot of the AHU (air handling unit). It consists of a magnelis footplate and a sylomer mat. Sylomer is an elastomer-based material with very good ageing resistance and long-term elasticity that provides full function throughout the life of the AHU (air handling unit). The mat is resistant to oil and can withstand temperatures from -30 °C to +70 °C. It is available in several colour-coded hardnesses to suit different loads and frequency ranges.



Order portal

Product sheet

Mounted vibration isolator

Technical data

Part number	Description	Load* Min – Max (kg)	Suspension (mm)	Natural frequency (Hz)	Isolation (rpm) from >
AMMT-01-055-00	Damper foot Green 100x100	40–50	1.3–1.7	15.7–12.5	1500 –1200
AMMT-01-110-00	Damper foot Brown 100x100	50–100	0.9–2	19.5–11.9	1500 –1200
AMMT-01-220-00	Damper foot Red 100x100	100–200	1.1–2.6	16.8–10.5	1500 –1200
AMMT-01-450-00	Damper foot Grey 100x100	200–380	1.4–2.7	15.6–10.8	1500 –1200

* The load must be evenly distributed over the feet of the unit.

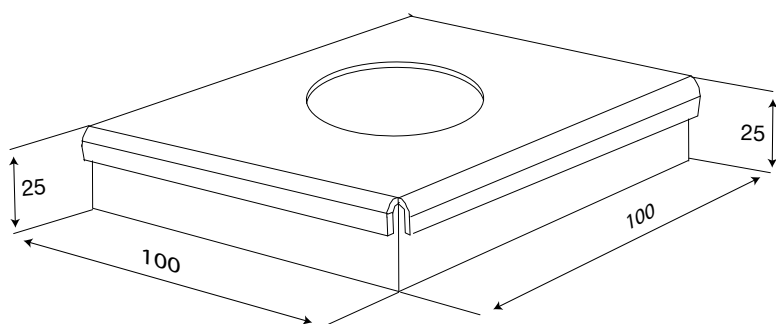
Installation



Take into account the natural frequency of the structure when installing in flexible structures, such as wooden beams.

The damper is placed under each AHU (air handling unit) foot so that the load is evenly distributed over the unit feet. Other installations should be installed elastically. Sleeves must be used and pipe connections must be made with elastic or flexible connections.

Dimensions (mm)



Feel free to contact us



IV Produkt AB, Sjöuddevägen 7, S-350 43 VÄXJÖ
+46 470 – 75 88 00
www.ivprodukt.se, www.ivprodukt.com
www.ivprodukt.no, www.ivprodukt.dk, www.ivprodukt.de



Support:

Control:	+46 470 – 75 89 00, styr@ivprodukt.se
Service:	+46 470 – 75 89 99, service@ivprodukt.se
Spare parts:	+46 470 – 75 86 00, reservdelar@ivprodukt.se
DU/Documentation:	+46 470 – 75 88 00, du@ivprodukt.se
