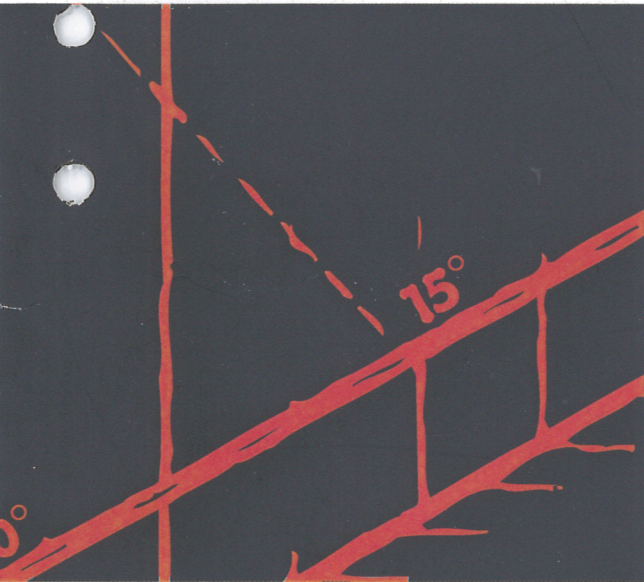


Supply Air Unit

Vent 090

Flow range 0.5 - 0.9 m³/s



Air handling with the focus on LCC

Supply Air Unit Vent 090

General

Supply air unit VENT 090 is intended for use in ventilation systems in the flow range 0,5 - 0,9 m³/s.

- The unit contains the following items:
Air damper in aluminium, bag filter, heating coil (water) and fan.
- Heat resistant casing.
- Fitted duct connections.
- Flexible mounting.
- Inspection from two sides.
- Damper inside the casing.
- Easy to change pipe connection for the coil from the left to the right side.



Design

The unit is constructed in a framework of extruded, natural anodised aluminium profiles. The unit casing is manufactured from environmentally friendly and corrosion protected ALC plating.

The panels are insulated with 25 mm fire resistant mineral wool.

The outdoor air damper is fitted inside the unit casing and is of air tightness class 3.

Bag filter class EU6.

The unit is fitted with a mounting frame for fixation to ceiling or wall.

Connection side for the coil is easily converted from left to right by shifting the panels and rotating the heater.

The fan is a double inlet radial fan with forward curved blades, and belt transmission.

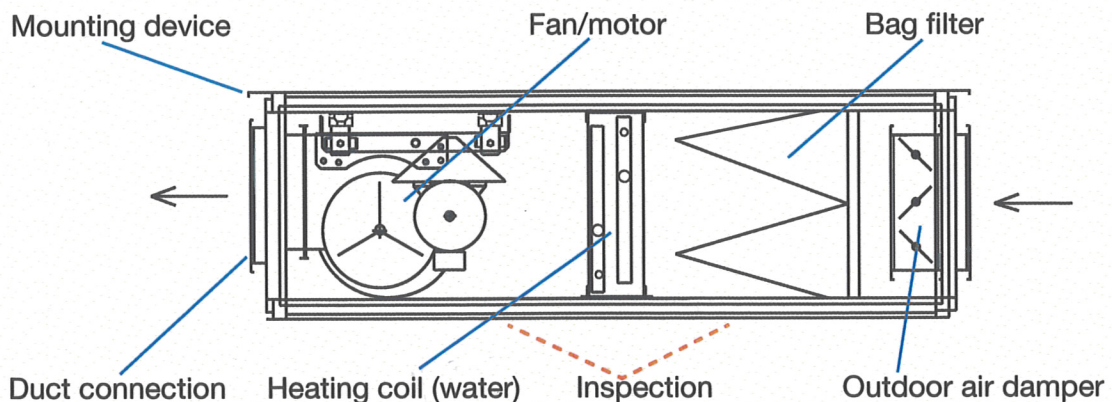
The fan/motor is vibration isolated with rubber dampers and fitted to slide-out aluminium profiles for easy removal when serviceing is required.

Specification

Supply air unit	VENT-090-a
a- Paneling	00 = Thermal insulation E3 = EI30

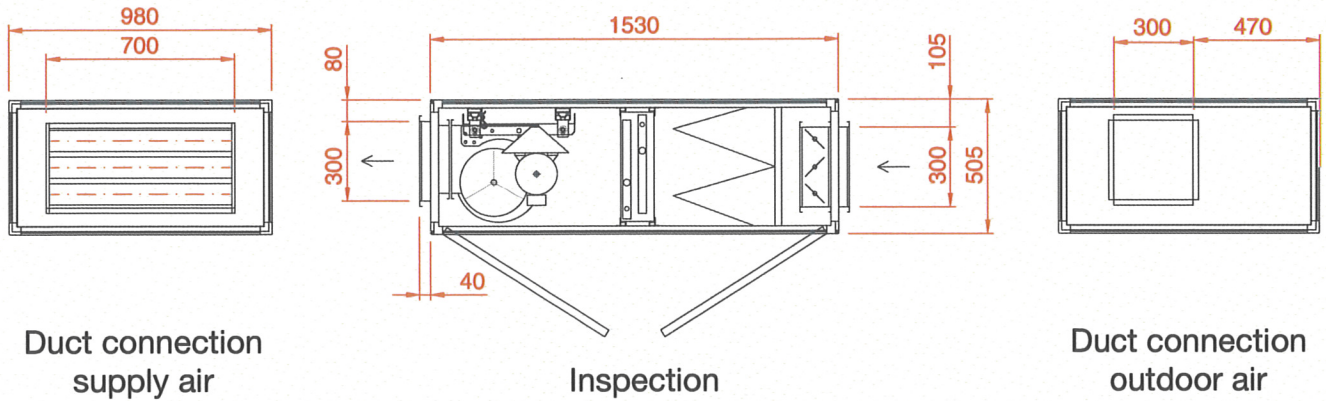
Motor

Standard option: 2-speed, 4/8 pol, 1.0/0.23 kW, 2.6/0.9 A at 400 V. Other specifications on request.



Technical data

Dimensions and weight

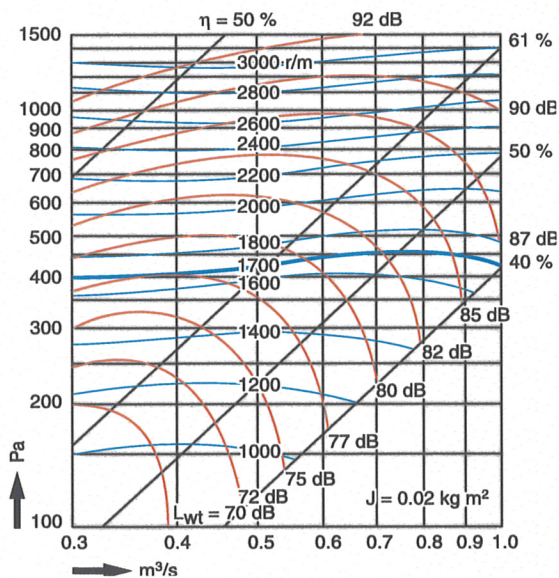


Weight 180 kg

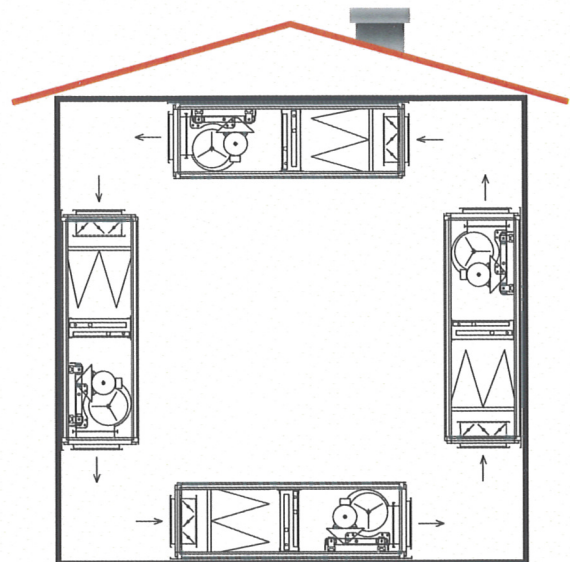
Air		SA _{temp} = 20 °C		Nom. air-flow		Nom. air-flow		Nom. air-flow	
		Air-flow m ³ /s		0.5		0.5		0.9	
		Available Δp		375		340		320	
		DOT		-30 °C -20 °C		-30 °C -20 °C		-30 °C -20 °C	
Water		Power kW		30 24		42 34		50 40	
T _{in} = 80 °C	Waterflow l/s	0.17 0.14		0.3 0.21		0.4 0.29			
	Δp kPa	4.1 2.7		9.7 5.2		16.0 9.4			
T _{in} = 60 °C	Waterflow l/s	0.11 0.1		0.17 0.13		0.24 0.17			
	Δp kPa	1.8 1.4		3.8 2.3		6.1 3.7			

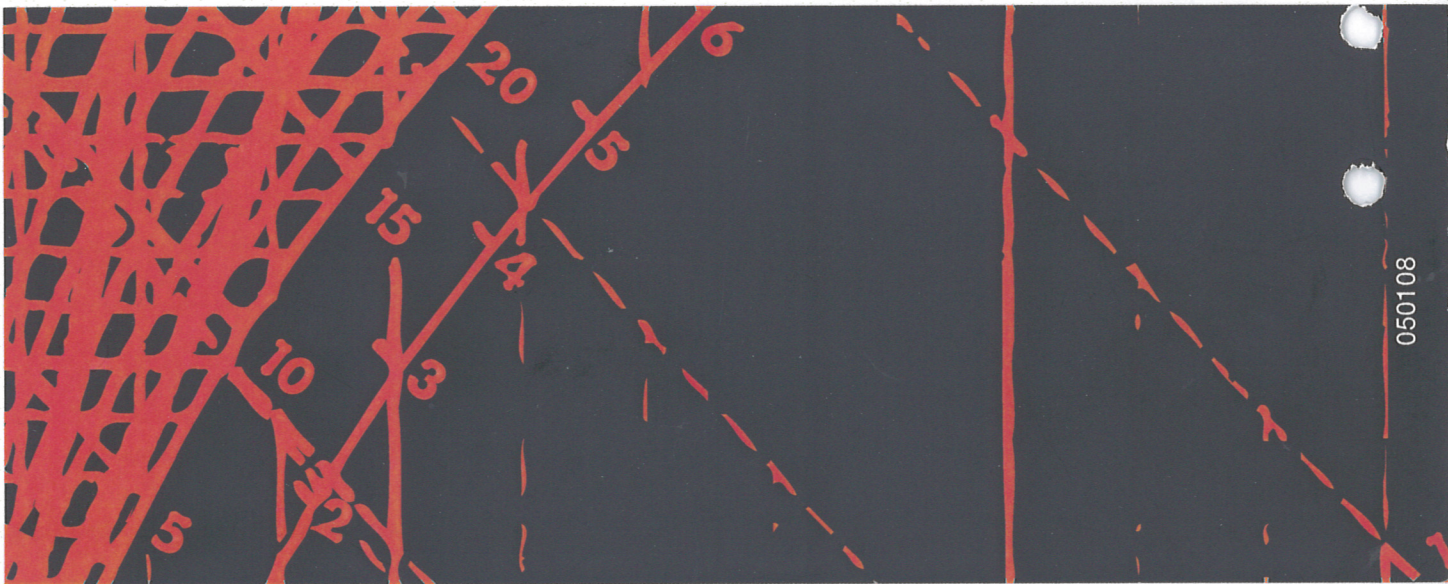
Table data based on a fan speed of 1700 rpm.

Fan capacity



Mounting options





Air handling with the focus on LCC

Industriventilation Produkt AB
Box 3103, SE-350 43 Växjö, SWEDEN
Phone: +46 470 - 75 88 00 · Fax: +46 470 - 75 88 00
www.ivprodukt.se · e-mail: info.ivp@skanska