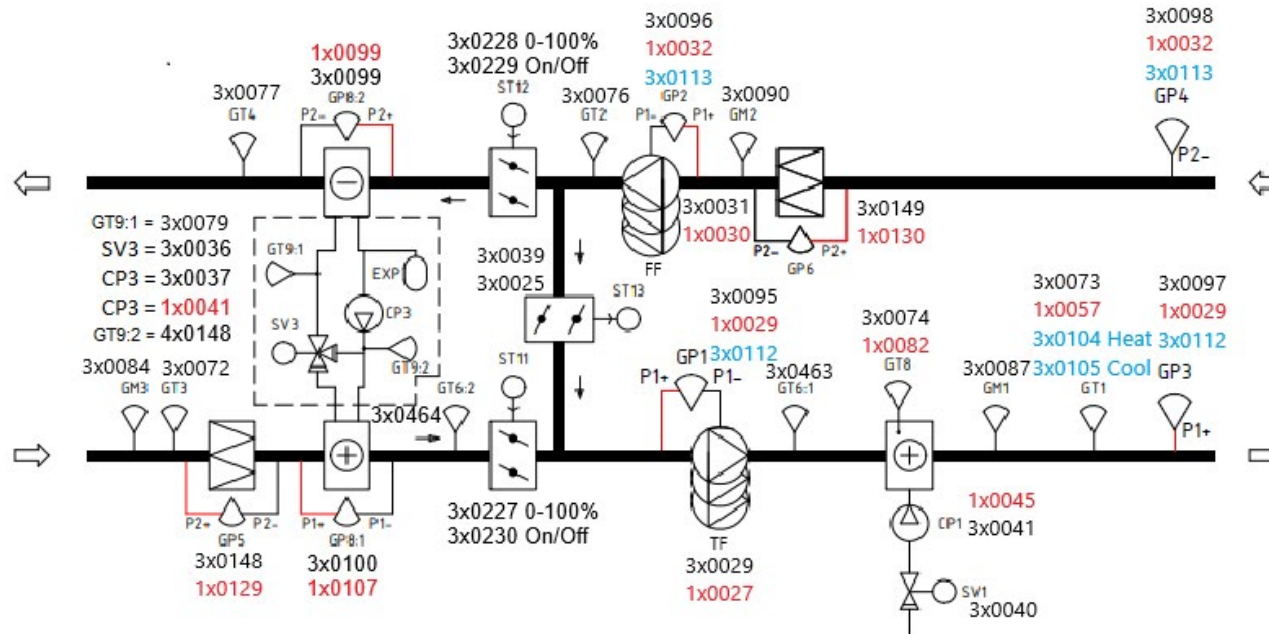


Example of useful AHU Modbus FlexoPool



Black Value/Status
Green Setpoints/Command
Red Alarm
Blue Actual setpoint-value

Status and alarm

3x0017	Actual operation mode
3x0018	Actual fan step
3x0019	Manual operation (service)
3x0023	Actual Opmode External control
3x0001	0=Winter (Supply air temp. control)
/bit6	1=Summer (Room/Exhaust temp.control)
1x0001	Alarm class Danger alarm (A) status
1x0002	Alarm class Critical alarm (A) status
1x0003	Alarm class Low alarm (B) status
1x0004	Alarm class Warning alarm (C) status

Setpoints

4x0005	BMS control (override time switch program) (1=Av, 3= step2)
4x0022	Setpoint heating
4x0021	Deadzone (creates cooling setpoint, Ex 21°C + 2°C = 23°C)
4x0032	Supply temp. Compensation (Exhaust/Supply alternative)
4x0050	Supply fan setpoint step 1 (low) TF (Pa, l/s)
4x0051	Supply fan step 2 (normal) TF (Pa, l/s)
4x0052	Supply fan step 3 (high) TF (Pa, l/s)
4x0054	Exhaust fan step 1 (low) FF (Pa, l/s)
4x0055	Exhaust fan step 2 (normal) FF (Pa, l/s)
4x0056	Exhaust fan step 3 (high) FF (Pa, l/s)
4x0059	Setpoint air quality, Co2
0x0001	Alarm reset
0x0015	Fire Alarm
0x0011	Emergency stop input

Energy Watch

3x0178	SFP-Value
3x0356	Heat recovery Actual rec.power (kW)
3x0358	Heat recovery day (kWh)
3x0360	Heat recovery month (kWh)
3x0362	Heat recovery year (MWh)
3x0364	Heat recovery last year (MWh)
3x0368	Heat recovery last month (kWh)
3x0370	Added heat Actual Power (kW)
3x0372	Added heat Energy today (kWh)
3x0374	Added heat Energy month (kWh)
3x0376	Added heat Energy year (MWh)
3x0378	Added heat Energy last year (MWh)
3x0382	Added heat Energy last month (MWh)
3x0384	Fans Actual Power (kW)
3x0386	Fans Energy added today (kWh)
3x0388	Fans Energy added month (kWh)
3x0390	Fans Energy added year (MWh)
3x0392	Fans Energy added last year (MWh)
3x0396	Fans Energy added last month (kWh)

FlexoPool

4x0317	Flexopool humidity setpoint outdoor temp 1
4x0117	Flexopool humidity setpoint, setpoint dehumidify 1
4x0318	Flexopool humidity setpoint outdoor temp 2
4x0118	Flexopool humidity setpoint, setpoint dehumidify 2
4x0315	Flexopool.MinFresh Air
4x0321	Flexopool.MinFreshAir economy
4x0047	Supply humidity max setpoint
4x0039	Actual supply humidity setpoint (when use of cascade control)
3x0087	Supply air humidity relative
3x0090	Room humidity relative
3x0084	Outdoor air humidity relative
4x0319	FlexoPool Heat Pump frost protection air setpoint
4x0320	FlexoPool Heat Pump frost protection water setpoint
3x0456	Outdoor air flow
3x0457	Recirculation air flow (calculated)
3x0459	Exhaust air flow (calculated)
3x0220	Pressure Hrec water